



Factory Direct Walk-In Tubs

## **WALK-IN TUB**

### **Installation Manual**

For Model Numbers VT2848, VT2853, VT3153 and VT3255



# FACTORY DIRECT WALK-IN TUBS

Thank you for choosing an Vitality Tubs Walk-In Tub. Vitality Tubs Walk-In Tubs offer a safe and secure bathing experience. Our units are thoroughly tested for quality to ensure they will last for years to come.

## RESPONSIBILITIES OF THE INSTALLER

The installer must inspect and water test the product prior to installation to ensure the unit is free of defects or damage. In the event of a problem, the unit should not be installed. If the packaging or product has been damaged, please call your local representative.

The bath unit is designed to be installed by a licensed trade person. Licensed electricians and licensed plumbers should be employed to ensure proper installation. The installer assumes all liabilities for installation procedures.



## SAFETY WARNING

All instructions listed in this manual should be read and followed carefully. All precautions pertaining to risk of fire, electrical shock, or injury to person(s) must be understood and explained to owner.

Use only licensed plumbers and electricians for installation. Be sure you and your contractor are aware of and follow all local plumbing and electrical codes. Install the tub in accordance with the instructions in the manual. Use ONLY the parts and accessories provided or as recommended by the manufacturer.

- **DANGER: RISK OF ELECTRIC SHOCK.** The unit MUST be installed and grounded by a qualified service representative using a grounded receptacle and GFCI (Ground-Fault Circuit Interrupter).
- You must have at least one 20 amp, 120 volt circuit available.
- A qualified service technician must perform all electrical wiring, service and repair in accordance with all applicable local and national codes. Failure to do so may pose an electrical hazard.
- Before making any electrical connections, make certain that the electrical power is turned OFF at the breaker, and take measures to ensure that it CANNOT accidentally be turned on again.
- Building materials and wiring should be routed away from the blower or heat producing components of the system to prevent the risk of heat damage or fire.
- Make certain you have a flat surface that can support the combined weight of the tub, the water and the user on the levelers.
- The plumbing connections, hot, cold and the drain should be installed to local codes.

# CONTENTS

## 1. Preparing For Installation

Walk-In Tub Diagram .....	4
Testing Procedures (Before Installation) .....	5
Installation Preparation .....	6

## 2. Installation Procedures

Installing the Walk-In Tub .....	6-7
Electrical Installation .....	7
Anti-Scald Valve Installation .....	8
Installation/Replacement of LED Lights .....	8
Door Seal Leaking .....	8

## 3. Troubleshooting

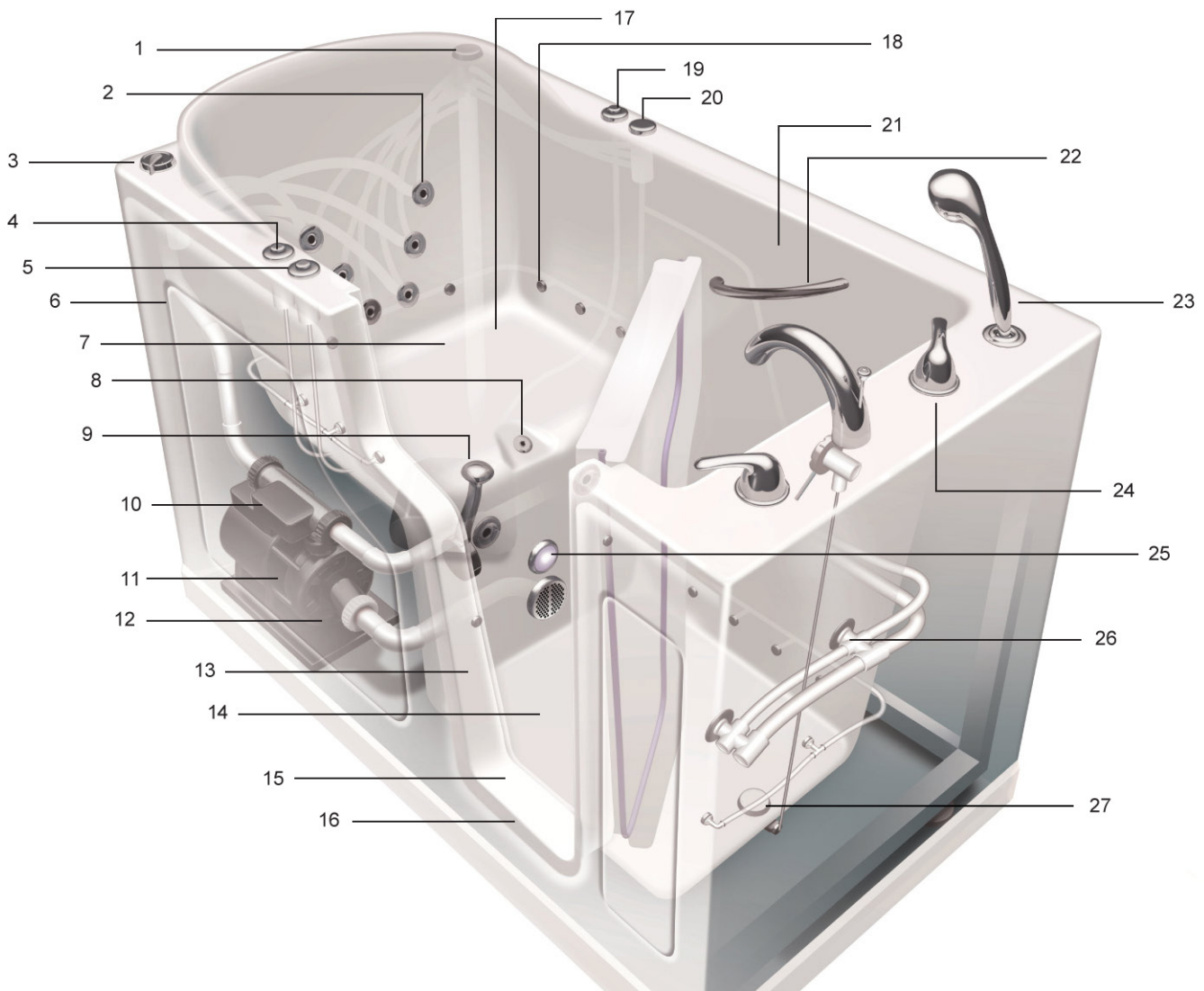
General Troubleshooting .....	9
Whirlpool System Troubleshooting .....	10
Chromotherapy LED Light Troubleshooting .....	10
Anti-Scald Valve Troubleshooting .....	10
In-line Heater Troubleshooting .....	10

## 4. Model Specifications & Diagrams

VT2848 Specs & Diagrams .....	11
VT2853 Specs & Diagrams .....	12
VT3153 Specs & Diagrams .....	13
VT3255 Specs & Diagrams .....	14
Hole Placement & Sizes - All Models .....	15

# WALK-IN TUB DIAGRAM

NOTE: THE FOLLOWING DIAGRAM IS OF A VITALITY TUBS WALK-IN TUB THAT INCLUDES ALL AVAILABLE FEATURES WITH THE EXCEPTION OF THE HEATED SEAT.



## RIGHT HAND DOOR MODEL

**Note:** Left hand door controls are opposite.

1. Aromatherapy
2. Ten (10) Hydro-Jets
3. Water Flow Diverter
4. Air Control Button
5. Chromotherapy Lights Control Button
6. Easy Access Panels
7. Molded Slip-Resistant 17" Seat
8. Personal Hygiene Therapy/Bidet
9. Low Effort Locking Handle
10. In-line Heater to Maintain Constant Temps
11. Water Pump
12. Ozone Sanitizing Cleaner
13. Left or Right Handed Door
14. Slip Resistant Floor
15. Limited Warranty on Tub, Door Seal & Faucet
16. Wide Door with Less than 4" Step Up
17. Heated Seat and Back
18. 16 Warm Air Jets
19. Water Pump Control Button
20. Air/Hydro Control Button
21. Bacteria and Mold Resistant Gel-Coat Finish
22. Built-in Interior Grab Bar
23. Hand-held Shower Wand
24. Easy To Reach Faucet Handle
25. Chromotherapy Lights
26. Massaging Foot Jets
27. Quick Release Drain

## TESTING WALK-IN TUB PRIOR TO INSTALLATION

All bathing units are 100% water tested at the factory and have passed all inspections. Transportation may loosen fittings and result in leaks. All units must be tested while there is access to all sides of the bathing unit.

### Fill with Water & Inspect Tub

The bathing unit should be filled with water and inspected for leaks with the whirlpool and air system on and off. The unit should be thoroughly inspected while filled with water along the door for leaks. It is recommended to test the unit outside by filling the unit with a garden hose.

- a) Only lift tub by aluminum frame.
- b) Place unit on a completely level surface in an area where the unit can be drained after thorough testing.
- c) Using a clean cloth and warm water, wipe down door seal to insure it is free of debris.
- d) Seal the drain using tape and proceed filling the bathing unit above the highest jet.
- e) Allow water to stand in unit a minimum of 20 minutes. After the water has been in unit for 20 minutes, inspect all plumbing and seals for leaks.
- f) Using appropriately rated three prong GFCI extension cord, operate all electrical components (air blower, heater, water pump) for an additional 20 minutes and inspect for leaks. Inspect all unions around pump and heater.
- g) Ensure all jets are open and working properly.

### Troubleshooting

If the pump/heater/blower/lights do not operate properly.

- a) Check the breaker. Verify correct electrical circuit and amps of electrical cord.
- b) Do not run any pumps unless unit is filled with water to proper level.

**Please Note:** Damage due to dry operation of pumps is not covered under warranty.

## INSTALLATION PREPARATION

### Check floor, drain is roughed-in and electrical

#### 1. Check Floor

- a) Clean area of any debris or trash.
- b) Use 5' level and determine if the floor is level. If the floor is not level, adjust all leveling feet to perfectly level bathing unit (all leveling feet are completely touching the floor and level. This will ensure the door seal works properly).

#### 2. Drain is Roughed-In

Check to ensure that drain has been properly roughed-in at the proper location.

#### 3. Electrical Service is Ready

Ensure that proper electrical service has been installed at pump location.

## INSTALLATION PROCEDURES

### Installing the Walk-In Tub

#### 1. Install Tub Waste & Overflow

Install tub waste & overflow according to instructions included with drain kit.

#### 2. Faucet Installation

- a) Review installation instruction package furnished with faucet set.
- b) It is recommended that the hand held shower be installed on the corner closest to the wall to prevent water from leaking off the deck and onto floor creating a safety hazard.

*Installation Procedures continued on next page*

## INSTALLATION PROCEDURES CONTINUED

### 3. Install Walk-In Tub

After framing is complete, install bathing unit in place to check fit and make certain the unit can be properly leveled. **Warning:** If unit is not resting on all leveling feet, water will not drain properly and this may cause door to leak. Secure tub frame to the studs using metal straps (not furnished by manufacturer).

### 4. Check Levelness

Check to make sure the unit is completely level by checking tub deck surface and ensure all leveling feet are touching the ground.

### 5. Plug-in to Electrical Outlet

Electrical connection is made by plugging each cord into the GFI protected outlet.

### 6. Clean Tub

After electrical and plumbing connections have been completed, clean the bathing unit and door seal of dirt and debris. Use warm water and a non-abrasive cleaner for cleanup.

### 7. Check for Leaks

Turn pump and blower on and let it run at least 15 minutes. Inspect for leaks while the pumps are running and again after the pumps are turned off. Use hands to check where visual verification is not possible.

**Installation is not complete until bathing unit has been water tested in place and does not leak. The filler panel may be needed for installations greater than 53" up to 60".**

## ELECTRICAL INSTALLATION

All electrical wiring must be installed in accordance with all local and national codes and instructions. All wiring shall be performed by a licensed electrician. Install one to two, dedicated 20 amp, 120 volt service GFCI circuit(s) depending upon individual tub configuration.



# ANTI-SCALD VALVE INSTALLATION INSTRUCTIONS

*Refer to manufacturer instructions.*

## INSTALLATION INSTRUCTIONS/REPLACEMENT CHROMOTHERAPY LED LIGHT INSTRUCTIONS

- 1) During installation, ensure that the air tube from the air switch on top of the bathing unit is correctly connected to air switch outlet on the LED transformer box.
- 2) Check to ensure plug from LED is connected to transformer box.
- 3) The 120 volt plug for the LED transformer box must be connected to a GFI protected outlet. The underwater light may be plugged into the same socket as either the pump or heater.

### REPLACING LED LIGHTS

- 1) Disconnect power to bathing unit.
- 2) Drain bathing unit.
- 3) Open lens of the fixture.
- 4) Replace LED light.
- 5) Verify "O" ring is not damaged and is properly positioned in groove when replacing the lens. If there is damage or lens does not seal properly, DO NOT refill bathing unit.

**Note:** Do not twist LED light into socket. Use gentle pressure and push LED light into place.

### DOOR SEAL LEAKING

If a small leak has been detected around the door, look closely for any build-up of dirt and/or debris. Small collections of water either on the door seal or where the seal meets the door jamb could end up being a minor leak through door seal.

- 1) Wipe down door seal with a damp soft cloth as well as the surface on the door jamb that comes in contact with the seal prior to filling bathing unit.
- 2) Once surfaces have been wiped clean, make sure that latch is completely locked forward when door is closed.

**Note:** When draining bathing unit, be sure that the door latch is in the locked position (forward). If it is not secure when draining, as water level lowers, pressure on the door will be lessened increasing risk of leak around door.

## TROUBLESHOOTING

Please use the following table to help troubleshoot any problems that may incur after or during the installation process.

For further assistance or to order replacement parts, please contact us .

## TROUBLESHOOTING : GENERAL

Symptom	Problem	Solution
<b>Air jets do not start</b>	<ul style="list-style-type: none"> <li>a) No power to blower motor</li> <li>b) Vacuum air switch loose</li> <li>c) Blower motor does not work</li> <li>d) Blue box is bad</li> </ul>	<ul style="list-style-type: none"> <li>a) Set or reset GFCI or breaker</li> <li>b) Check vacuum hose</li> <li>c) Replace blower motor</li> <li>d) Check blue box</li> </ul>
<b>Blower motor starts, but few or no bubbles</b>	<ul style="list-style-type: none"> <li>a) Blower motor is disconnected.</li> <li>b) Blower motor air flow is restricted</li> </ul>	<ul style="list-style-type: none"> <li>a) Connect blower motor to air harness</li> <li>b) Clean area around blower motor to ensure adequate ventilation</li> </ul>
<b>Bath stops before running 20 minutes</b>	<ul style="list-style-type: none"> <li>a) GFCI breaker tripped</li> <li>b) Motor overheated</li> </ul>	<ul style="list-style-type: none"> <li>a) Identify source of fault and correct.</li> <li>b) Check for blockage at motor vents. Remove blockage and allow to cool.</li> </ul>
<b>Bath does not stop running after 20 minutes.</b>	Bath does not stop running after 20 minutes.	Replace blue box
<b>Motor does not start</b>	<ul style="list-style-type: none"> <li>a) Breaker/GFCI in off position</li> <li>b) Not enough water in tub</li> <li>c) Defective/disconnected wiring</li> </ul>	<ul style="list-style-type: none"> <li>a) Reset breaker or GFCI</li> <li>b) Add water to cover all jets</li> <li>c) Check/reconnect wiring if needed</li> </ul>
<b>Breaker trips repeatedly</b>	<ul style="list-style-type: none"> <li>a) Shortage between breaker and tub</li> <li>b) Breaker/GFCI defective</li> <li>c) Pump or blower bad</li> </ul>	<ul style="list-style-type: none"> <li>a) Look for short in wiring</li> <li>b) Replace breaker or GFCI</li> </ul>
<b>Leakage around pump</b>	<ul style="list-style-type: none"> <li>a) Unions loose</li> <li>b) Missing O-ring</li> </ul>	<ul style="list-style-type: none"> <li>a) Hand tighten unions</li> <li>b) Replace O-ring</li> </ul>
<b>Back jets have no pressure</b>	No pressure from back jets	Check diverter valve

## TROUBLESHOOTING : WHIRLPOOL SYSTEM

Symptom	Problem	Solution
<b>Whirlpool does not start</b>	<ul style="list-style-type: none"> <li>a) No power to pump motor</li> <li>b) Faulty air switch in pump motor</li> <li>c) Faulty air actuator</li> <li>d) Air activator tubing disconnected, loose, kinked, plugged or damaged</li> <li>e) Faulty pump motor</li> </ul>	<ul style="list-style-type: none"> <li>a) Reset/set GFCi breaker, check wiring</li> <li>b) Replace air switch</li> <li>c) Replace air actuator</li> <li>d) Connect, tighten, straighten, clean or replace air actuator tubing</li> <li>e) Repair or replace pump motor</li> </ul>
<b>Motor starts - all jets are not functioning</b>	<ul style="list-style-type: none"> <li>a) Diverter valve is closed</li> <li>b) Jets are blocked</li> </ul>	<ul style="list-style-type: none"> <li>a) Rotate jet counter clockwise to open</li> <li>b) Remove blockage</li> </ul>
<b>Whirlpool stops running within 20 minutes</b>	<ul style="list-style-type: none"> <li>a) GFCi tripped</li> <li>b) Suction is blocked</li> <li>c) Jets are blocked</li> <li>d) Motor overheated</li> </ul>	<ul style="list-style-type: none"> <li>a) Identify source of fault</li> <li>b) Remove obstruction</li> <li>c) Remove blockage</li> <li>d) Check for blockage at motor vents. Remove blockage and allow motor to cool. Check for suction blockage, remove blockage allow motor to cool. Check for jet blockage, remove blockage allow jet to cool.</li> </ul>

## TROUBLESHOOTING : CHROMOTHERAPY LED LIGHTS

*Refer to manual provided with bathing unit.*

## TROUBLESHOOTING : ANTI-SCALD VALVE

*Check manufacturer's instructions provided with valve.*

## TROUBLESHOOTING : IN-LINE HEATER

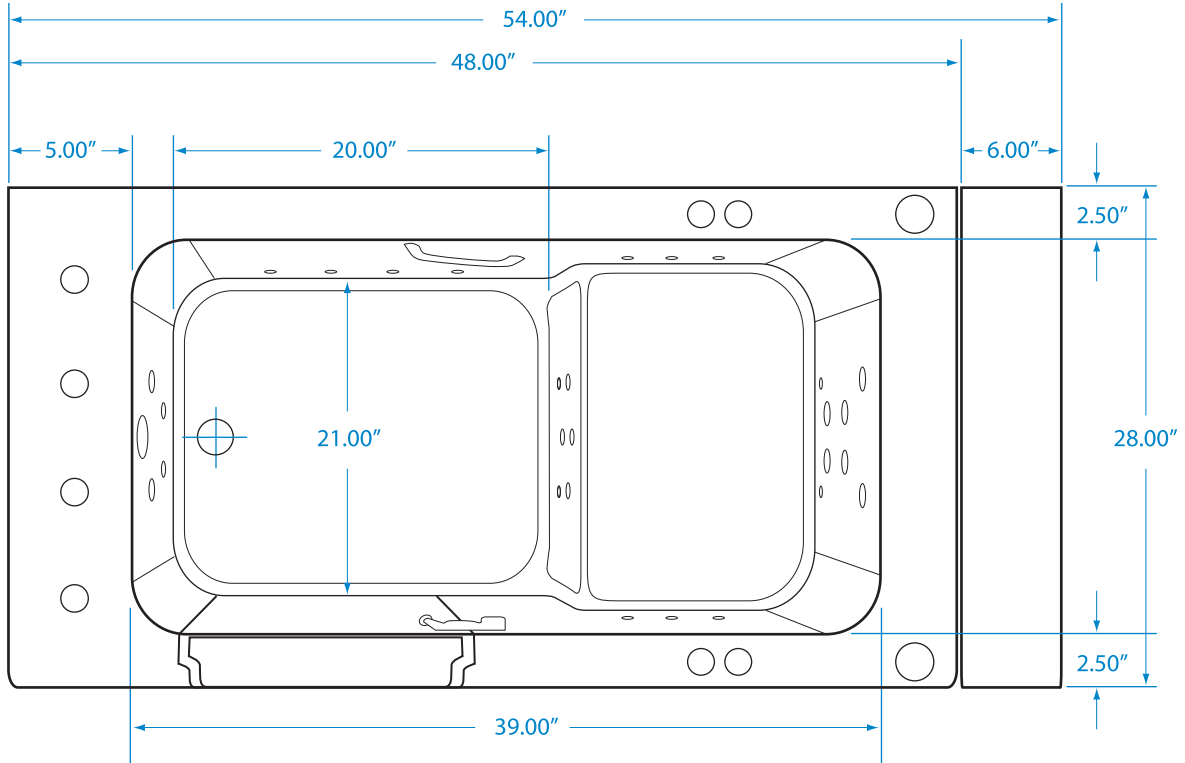
*Refer to manual provided with bathing unit.*

# MODEL VT2848 SPECIFICATIONS & DIAGRAMS

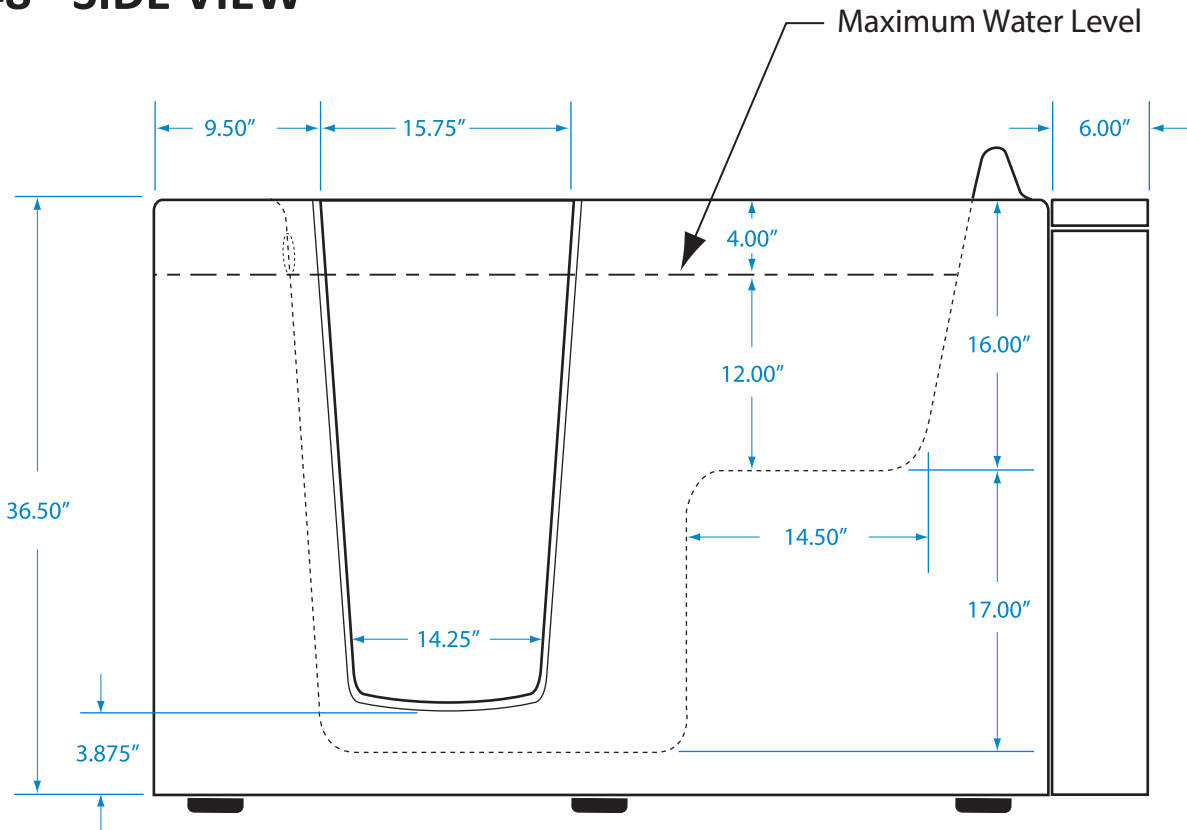
Rough-In Dimensions

Width: 54.00", Depth: 28.00" & Height: 36.50"

## VT2848 - TOP VIEW



## VT2848 - SIDE VIEW





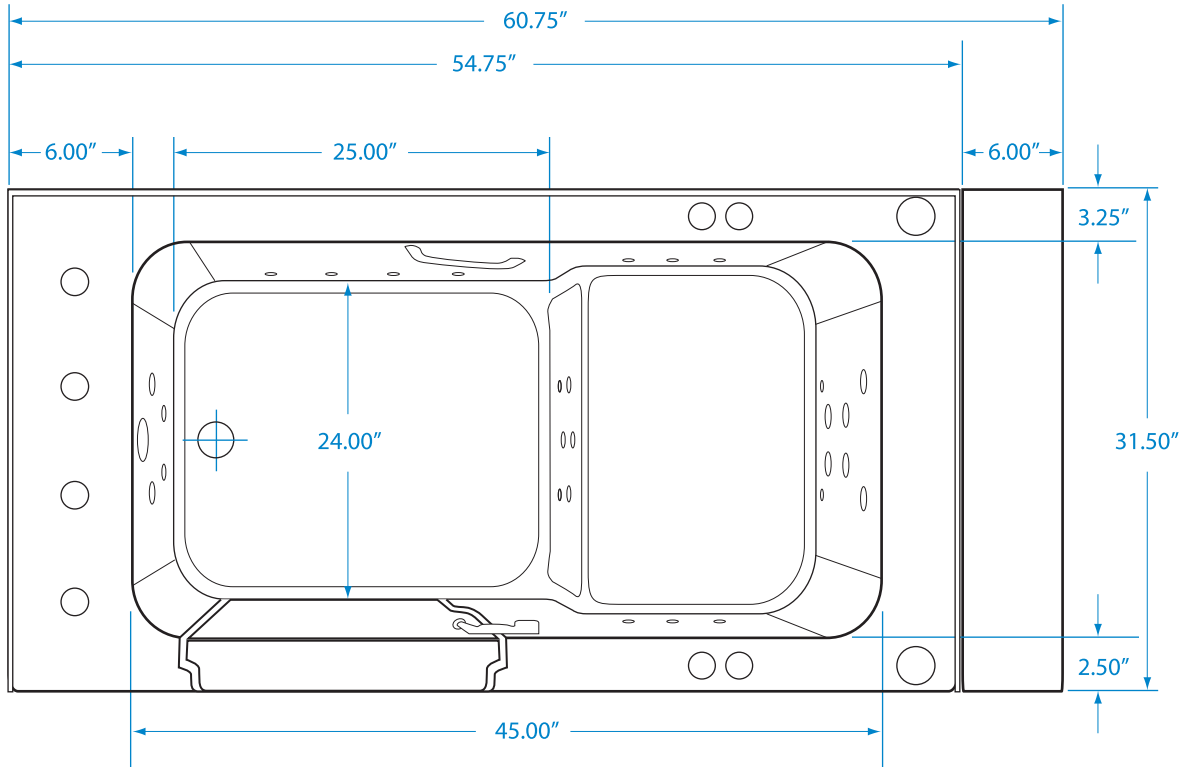


# MODEL VT3255 SPECIFICATIONS & DIAGRAMS

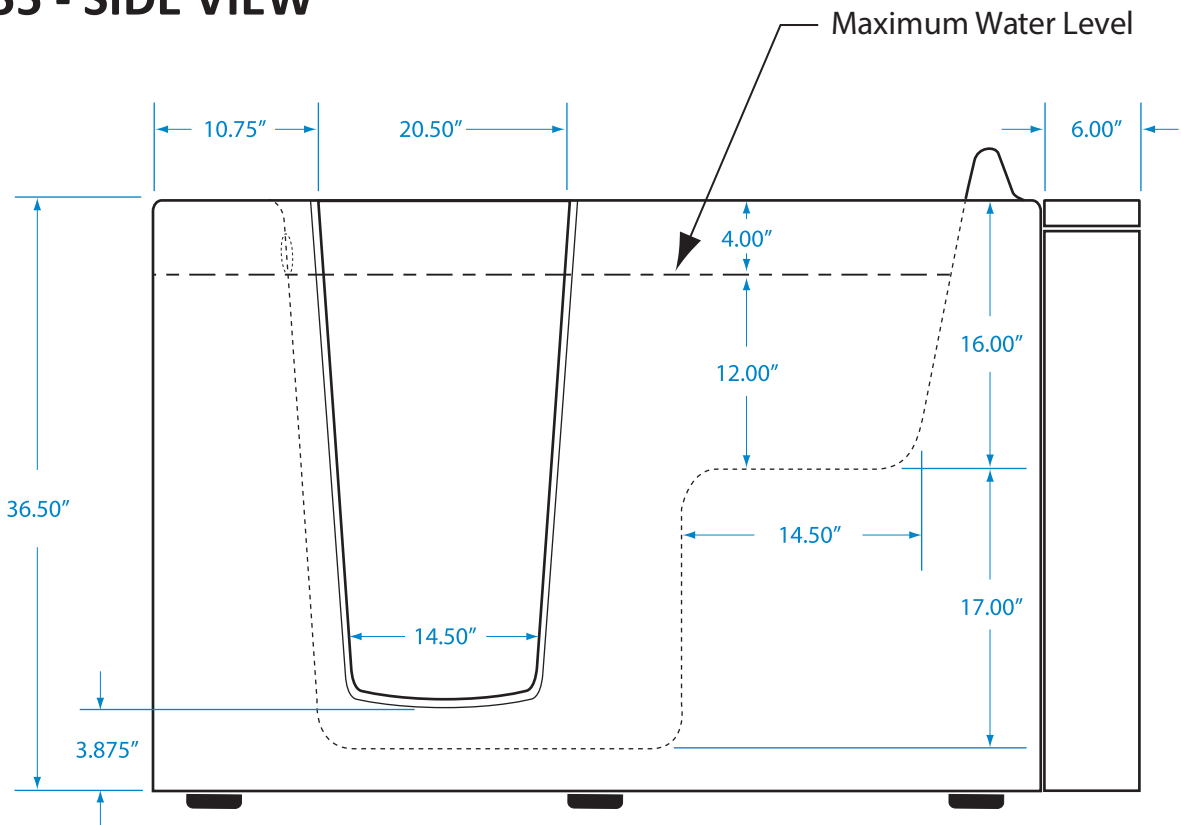
Rough-In Dimensions

Width: 60.75", Depth: 31.50" & Height: 36.50"

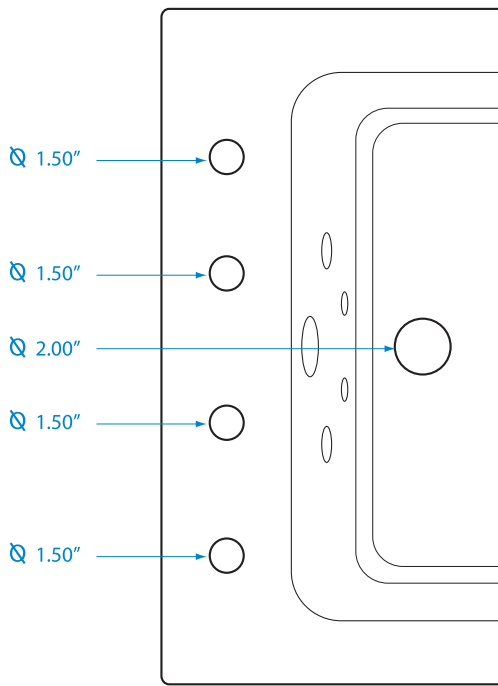
## VT3255 - TOP VIEW



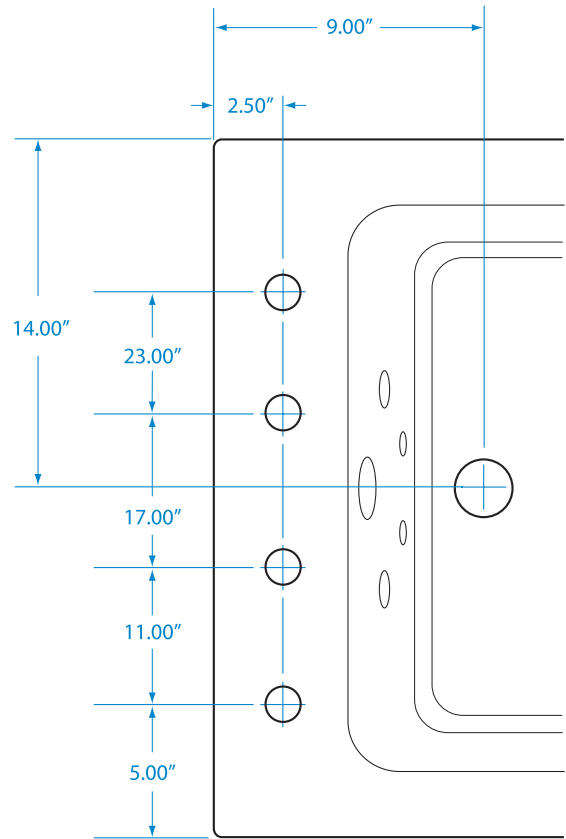
## VT3255 - SIDE VIEW



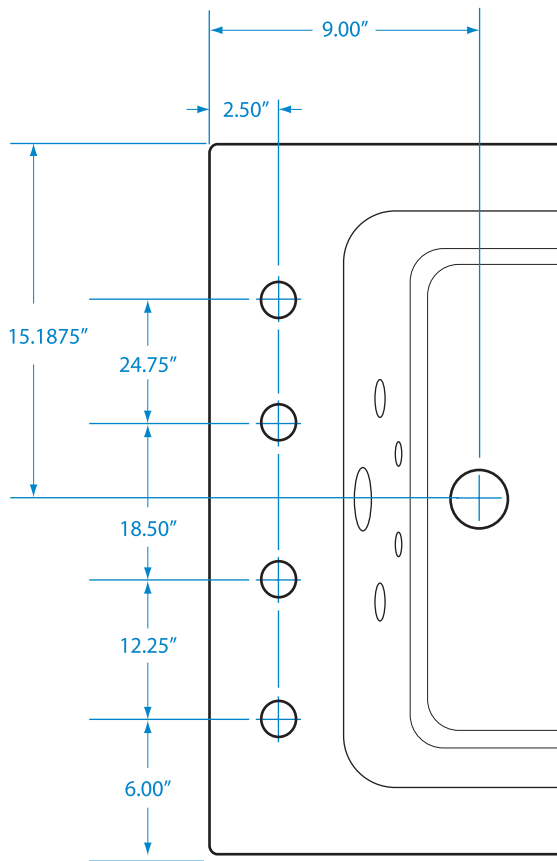
# HOLE SIZES & PLACEMENT



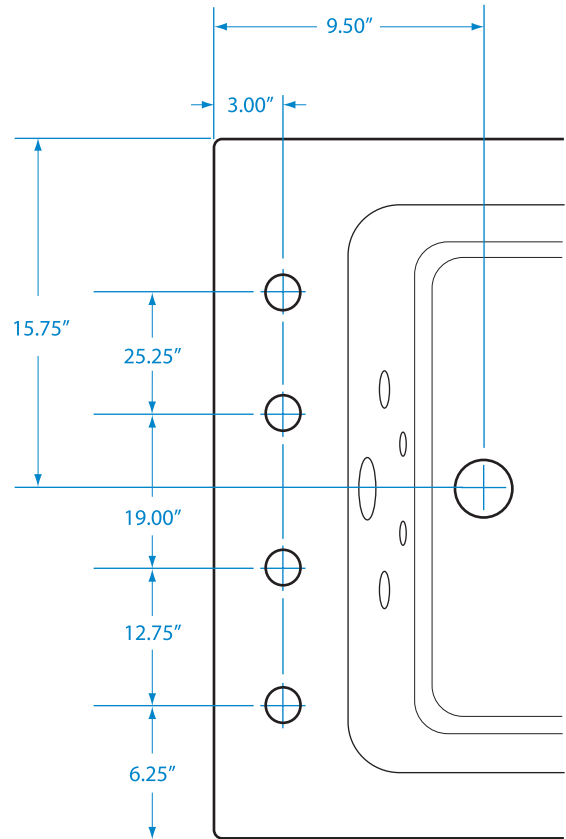
**HOLE SIZES - ALL MODELS**



**VT2848 & VT2853 HOLE PLACEMENT**



**VT3153 HOLE PLACEMENT**



**VT3255 HOLE PLACEMENT**











9111 Cross Park Drive, D226

Knoxville, TN 37923

(844) TOP TUBS - (844) 867-8827

[sales@vitalitytubs.com](mailto:sales@vitalitytubs.com) • [www.vitalitytubs.com](http://www.vitalitytubs.com)